

SECURITY RECESSED SHELF



SHELF SA46

- Satin glass blasted stainless steel finish
- Heavy duty
- Ideal for prisons and psychiatric units

Overall Dimensions
200mm W x 300mm H x 75mm D

MODEL SA46

Options:

SA46-4 - Mirror Polished Stainless Steel

CONSTRUCTION:

RECESSED SHELF: Fabricated of type 304 (18-8)

16 gauge stainless steel with exposed surfaces in architectural satin finish.

INTERIOR: Satin glass blasted finish.

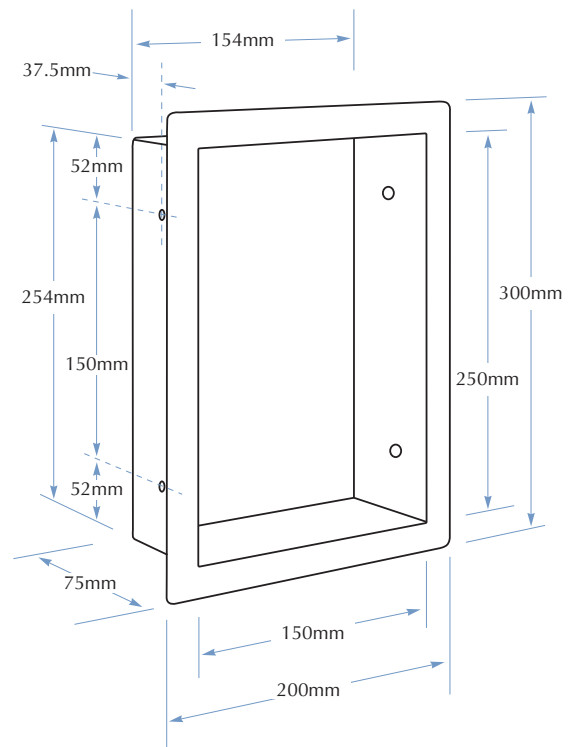
All welds ground smooth and corners rounded.

INSTALLATION:

Shelf is recessed mounted secured to wall with security mounting screws at holes provided.

GUIDE SPECIFICATION:

Recessed shelf shall be fabricated of type 304 stainless steel with exposed surfaces in architectural satin finish.



TOLL FREE 1300 364 561

The manufacturer reserves the right to make changes in design and material without formal notice and without incurring obligation.

Bradley
AUSTRALIA.COM