

SURFACE MOUNTED DOUBLE ROBE HOOK

MODEL 9124

Options:

9125 Polished Stainless Steel



HOOK 9124

- Satin finish stainless steel
- Vandal resistant escutcheons
- Surface mounted
- Projects 55mm
Escutcheons: 50mm x 50mm

CONSTRUCTION:

UNITS: Fabricated of type 304 stainless steel with exposed surfaces in architectural satin finish.

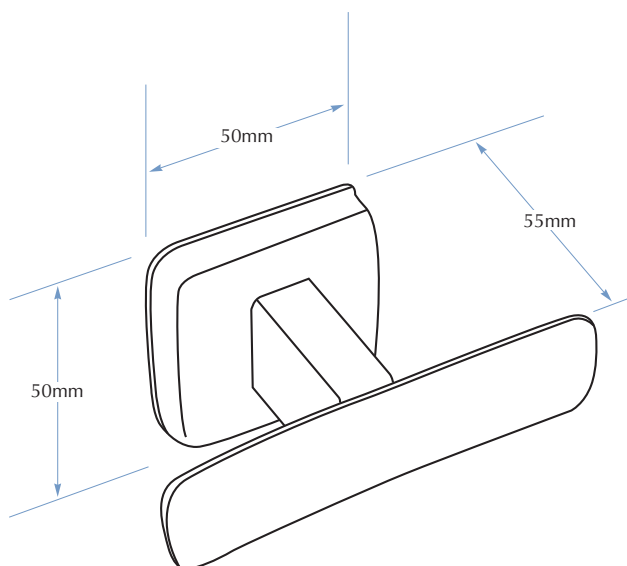
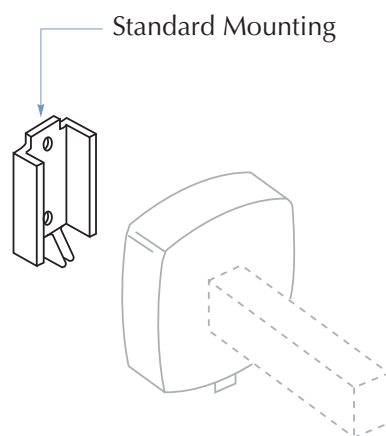
ESCUTCHEONS: Are 50mm W x 50mm H, where applicable, unless otherwise indicated.

INSTALLATION:

Secure mounting bracket to wall with screws (included) at holes provided. With escutcheon set screw on the bottom, align top end of escutcheon interior to top of wall bracket. Pivot escutcheon plate(s) down into position and tighten concealed set screw to lock unit in place.

GUIDE SPECIFICATION:

Surface mounted double robe hook shall be fabricated of type 304 stainless steel with exposed surfaces in architectural satin finish.



TOLL FREE 1300 364 561

The manufacturer reserves the right to make changes in design and material without formal notice and without incurring obligation.

Bradley
AUSTRALIA.COM