

SURFACE MOUNTED SOAP DISH

MODEL 9002



SOAP DISH 9002

- Heavy duty satin finish stainless steel

Overall Dimensions
150mm W x 20mm H x 100mm D

CONSTRUCTION:

Soap dish fabricated of type 304 (18-8), 18 gauge stainless steel with exposed surfaces in architectural satin finish. Front corners welded and linished. Unit shall be formed from a single piece of stainless steel with drain hole centrally located in pressing.

OPERATION:

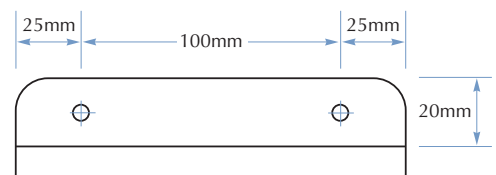
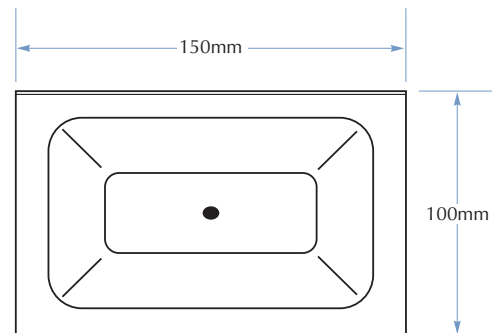
Single hole in base of tray permits water drainage.

INSTALLATION:

Secure to wall with mounting screws at holes provided.

GUIDE SPECIFICATION:

Heavy duty soap dish shall be fabricated of 304 (18-8), 18 gauge satin stainless steel and have a single hole for drainage.



TOLL FREE 1300 364 561

The manufacturer reserves the right to make changes in design and material without formal notice and without incurring obligation.

Bradley
AUSTRALIA.COM