

WALL MOUNTED LIQUID SOAP DISPENSER



SOAP DISPENSER 6086

- Wall mounted pump type
- Solid brass chrome plated

Overall Dimensions
95mm D - Flange O/D 60mm dia.

CONSTRUCTION:

Valve body, plunger and flange all fabricated of solid brass with bright chrome finish. 1/2" BSP threaded mounting fixture is fabricated of brass. Internal duck bill valves are fabricated of silicon. Non-return valve is brass.

CAPACITY & OPERATION:

Varies depending on size of reservoir. Bradley carries 4 different bottle sizes: 0.5L, 1L, 2.5L and 4L. Push plunger for measured amount of liquid soap. Fills at reservoir. Brass non-return valve sits in base of reservoir to keep dispenser primed. PLEASE NOTE : Do not allow reservoir to empty.

INSTALLATION - ROUGH IN:

1. Drill 16mm hole at centre of desired location.
2. Fix supplied 1/2" BSP x 60mm flanged nipple to brickwork, stud or frame before tiling.
3. If access behind wall is going to be difficult then plastic tube supplied should be installed from bottle (reservoir) to and through the nipple bracket leaving 200mm length past the nipple bracket.
4. Tape (electrical tape) the thread of the nipple and hose to protect them.
5. It is recommended that plastic supply tube be run through 25mm conduit to protect the hose and reduce the risk of kinks. This will also make for ease of replacing the tube should this be necessary in the future. Conduit should be clipped to back of the studs or wall.

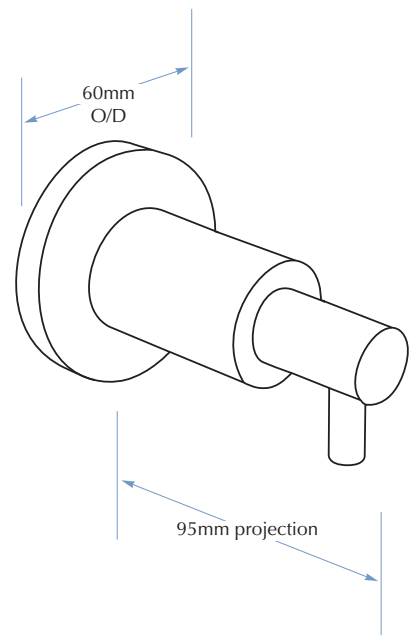
INSTALLATION - MOUNTING LOCATION:

Planning mounting location:

1. Wall cavity should allow supply hose (plastic tube) to be serviced.
2. Soap bottle needs to be easily accessible for filling regularly when room is cleaned.
3. Bottles need to be as close as possible to dispenser (optimum distance is within 2 metres).
4. Supply hose needs to be supported so as not to sag or kink and should have a fall in the direction of the supply bottle.

INSTALLATION - FIT-OUT:

1. Remove tape from thread of nipple and plastic tube.
2. Cut 1/2" BSP so that 20mm is showing past the tiled/finished wall surface.
3. Install soap bottle and fill.
4. Place plastic tube in through grommet of bottle having first cut the bottle end of the tube at 45 degrees.
5. Suck hose to bring soap close to the top of the hose, adjacent to the bracket.
6. Cut off surplus hose and clip to white plastic sleeve of dispenser with cable tie or 'o' ring (provided).
7. Screw the dispenser onto 1/2" BSP thread back to tiles. Nozzle should be pointing down.
8. Tighten two stainless steel grub screws in un-chromed section adjacent to finished wall surface.
9. Slip trim flange back to wall.
10. Slowly pump air out and soap through system.
11. Check plastic tube is correct length at bottle end.



MODEL 6086

Options:
6086 Bright Chrome Finish
4 different bottle sizes:
0.5L, 1L, 2.5L and 4L.

TOLL FREE 1300 364 561

The manufacturer reserves the right to make changes in design and material without formal notice and without incurring obligation.

Bradley
AUSTRALIA.COM