

SURFACE MOUNTED JUMBO TOILET TISSUE DISPENSER

MODEL 5500

Options:
5500-33 White Powdercoat



JUMBO 5500

- Satin finish stainless steel

Overall Dimensions
280mm W x 285mm H
x 125mm D

CONSTRUCTION:

CABINET & MOUNTING PLATE: Fabricated of heavy gauge stainless steel with exposed surfaces in architectural satin finish. Drawn one-piece construction. Furnished with tumbler lock and refill indicator viewing slot.

CAPACITY:

Cabinet holds one 240mm diameter roll of 75mm core Jumbo tissue - Bradley Model 5005 2 ply x 300 metre roll.

OPERATION:

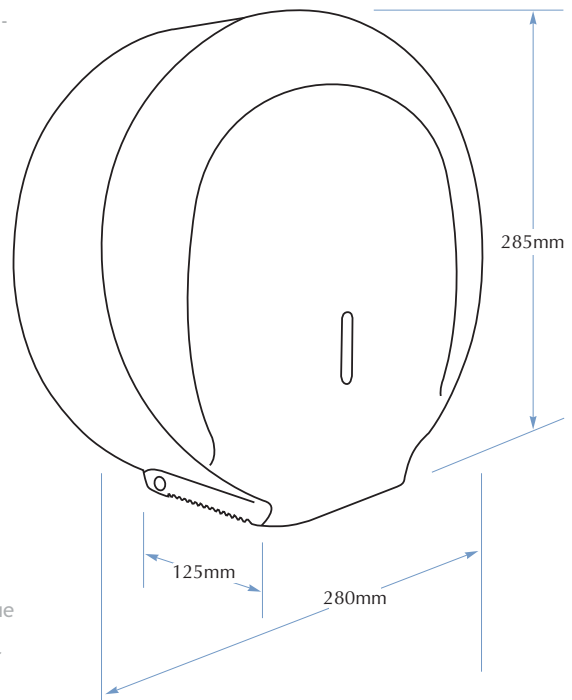
Refill indicator slot reveals tissue level. Tumbler-locked door swings down to replenish Jumbo tissue roll.

INSTALLATION:

Secure unit to wall or toilet partition with five screws (included) through mounting holes.

GUIDE SPECIFICATION:

Jumbo toilet tissue roll dispenser shall be heavy gauge satin finish stainless steel. Unit shall dispense one 240mm diameter Jumbo tissue roll with 75mm diameter core. Door shall be secured with a tumbler lock and shall have a refill indicator viewing slot.



TOLL FREE 1300 364 561

The manufacturer reserves the right to make changes in design and material without formal notice and without incurring obligation.

Bradley
AUSTRALIA.COM