

TECHNICAL DATA SHEET

SURFACE MOUNTED TOILET TISSUE DISPENSER

MODEL 5442

Options:

5442-33 White Powdercoat Finish



MODEL 5442

- Dual roll
- Satin finish stainless steel

Overall Dimensions
115mm W x 315mm H x 128mm D

CONSTRUCTION:

Fabricated of type 304 (18-8), 22 gauge stainless steel with exposed surfaces in architectural satin finish and tumbler lock keyed as other Bradley units. Welded construction with burr-free edges.

CAPACITY:

Holds two standard core toilet tissue rolls through 127mm in diameter. (Bradley Model 4004 x 2 Ply and Bradley Model 4008 x 1 Ply)

OPERATION:

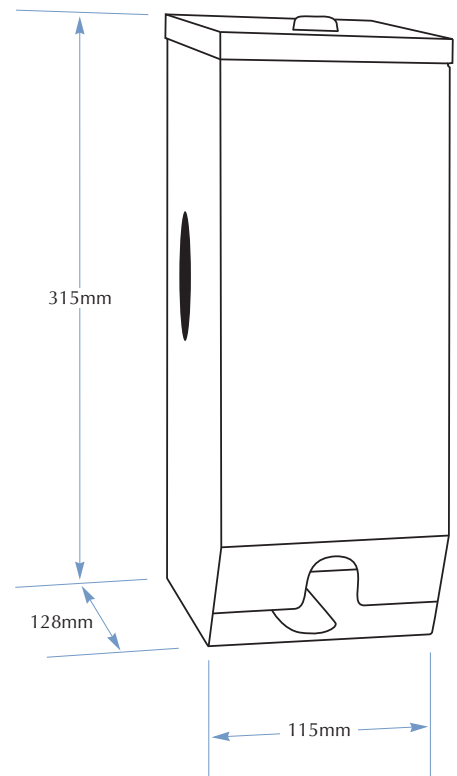
Cabinet holds two rolls of 114.5mm x 127mm standard core toilet tissue, one above the other. When first roll is used-up, fresh roll is pulled down by using side openings. Empty core pulls through base.

INSTALLATION:

Secure to wall with mounting screws (included) at holes provided.

GUIDE SPECIFICATION:

Surface mounted dual roll toilet tissue dispenser shall be heavy gauge satin finish stainless steel and hold two standard core toilet tissue rolls.



TOLL FREE 1300 364 561

The manufacturer reserves the right to make changes in design and material without formal notice and without incurring obligation.

Bradley
AUSTRALIA.COM