

## PARTITION MOUNTED TOILET TISSUE DISPENSER

# MODEL 5422



### MODEL 5422

- Satin finish stainless steel
- Partition mounted:  
serves 2 compartments

Overall Dimensions  
325mm W x 314mm H x 156mm D

### CONSTRUCTION:

**FLANGE:** Fabricated of type 304 (18-8), 22 gauge stainless steel with exposed surfaces in architectural satin finish. Flange of one piece construction, 25.4mm wide with 6.35mm return.

**CABINET:** Fabricated of type 304 (18-8), 22 gauge stainless steel with exposed surfaces in architectural satin finish. Welded construction with burr-free edges.

**SERVICE DOOR:** Fabricated of type 304 (18-8), 22 gauge stainless steel with exposed surfaces in architectural satin finish and tumbler lock keyed as other Bradley units. Hinged at base.

**SPINDLES:** Fabricated of molded polyethylene.

### CAPACITY:

Two dispensers; one per compartment. Each holds two standard core toilet tissue rolls through 127mm in diameter (Bradley Model 4004 x 2 Ply and Bradley Model 4008 x 1 Ply).

### OPERATION:

Each cabinet holds two rolls of 114.5mm x 127mm standard core toilet tissue, one above the other. When first roll is used-up, fresh roll automatically drops down for use. Unique retaining mechanism prevents use of spare roll until first roll is completely used. Spindles non removable by user. Hinged door permits access to storage compartment for servicing of unit. Serves two toilet compartments, dispensing one roll to each side of partition, while holding a second roll in reserve.

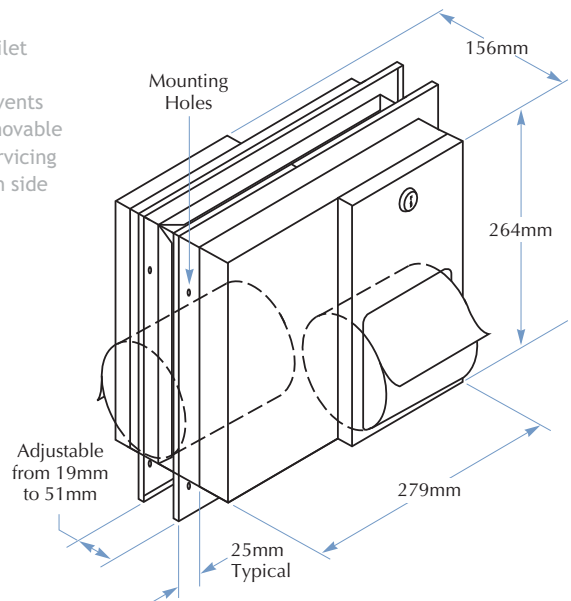
### INSTALLATION:

Requires partition opening 270mm H x 289mm W. Top of partition opening 914.5mm above finished floor. Flanges adjustable for partitions from 13mm to 51mm thick. Remove one flange and install cabinet in partition opening. Draw flange tight to partition and secure with screws. Replace flange on opposite side, draw tight to partition and secure with screws.

NOTE: If used with an odd number of toilet compartments, use one Bradley Model 5412 recessed or Bradley Model 5402 surface mounted dual roll toilet tissue dispenser in side wall of end compartment.

### GUIDE SPECIFICATION:

Partition mounted dual roll toilet tissue dispenser shall be heavy gauge satin finish stainless steel and hold four standard core toilet tissue rolls - two in reserve for use after first rolls are exhausted.



TOLL FREE 1300 364 561

The manufacturer reserves the right to make changes in design and material without formal notice and without incurring obligation.

**Bradley**  
AUSTRALIA.COM