

# TECHNICAL DATA SHEET

## TOILET TISSUE DISPENSER WITH SHELF



**MODEL 5262**



**MODEL 5263**

### MODELS 5262 - 5263

- Satin finish stainless steel

- With shelf

Overall Dimensions

406mm W x 100mm H x 152mm D

### CONSTRUCTION:

**SHELF:** Fabricated of type 304 (18-8) 18 gauge stainless steel with exposed surfaces in architectural satin finish. 12.5mm (1/2") front and side edges. Radius on all corners.

**TISSUE DISPENSER:** Fabricated of type 304 (18-8) 18 gauge stainless steel with exposed surfaces in architectural satin finish. Spindle(s) of ABS plastic with concealed spring.

### CAPACITY:

Holds one (two) standard core toilet tissue roll(s) through 152mm in diameter. (Bradley Model 4004 x 2 Ply and Bradley Model 4008 x 1 Ply)

### OPERATION:

Spindle(s) easily removed for servicing.

### INSTALLATION:

Secure dispenser with mounting screws (included) at holes provided.

### GUIDE SPECIFICATION:

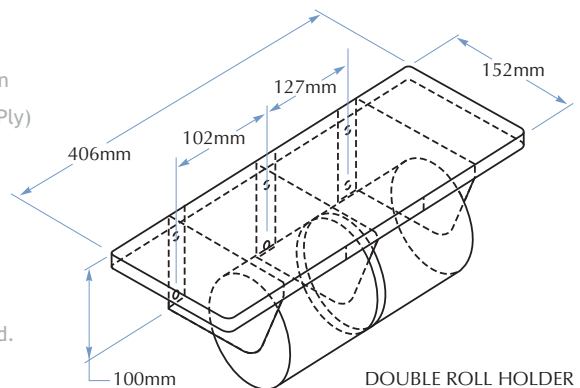
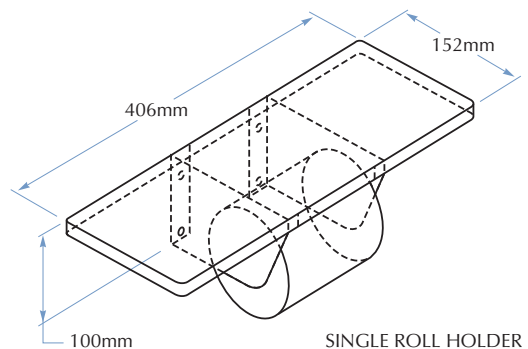
Toilet tissue dispenser shall be fabricated of type 304 (18-8) 18 gauge stainless steel with satin finish. Tissue dispenser to hold one (two) standard core toilet tissue roll(s).

## MODELS 5262-5263

Options:

5262 Single Toilet Roll Holder

5263 Double Toilet Roll Holder



**TOLL FREE 1300 364 561**

The manufacturer reserves the right to make changes in design and material without formal notice and without incurring obligation.

**Bradley**  
AUSTRALIA.COM