

# TECHNICAL DATA SHEET

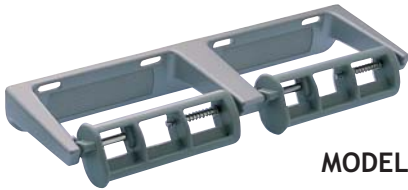
## TOILET TISSUE DISPENSERS



### MODEL 5071

- Satin finish die cast aluminium
- Rocking action controlled delivery

Overall Dimensions  
165mm W x 44mm H x 110mm D



### MODEL 5241

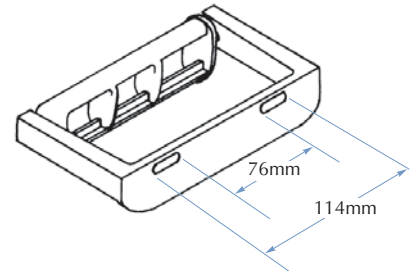
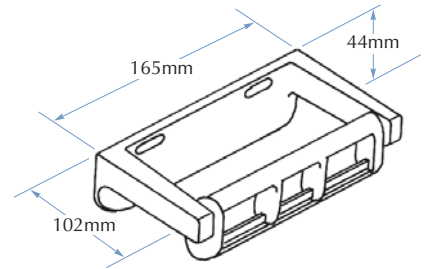
- Satin finish die cast aluminium
- Rocking action controlled delivery

Overall Dimensions  
330mm W x 44mm H x 110mm D

## MODELS 5071/5241

Options:

- 5071 Single Toilet Roll Holder
- 5241 Double Toilet Roll Holder



### CONSTRUCTION:

**BACKPLATE AND ARMS:** Fabricated of die cast aluminium.

**SPINDLE:** Fabricated of solid grey polypropylene.

Stainless steel spring.

### CAPACITY:

Model 5071 holds one standard core toilet tissue roll.

Model 5241 holds two standard core toilet tissue rolls.

(Bradley Model 4004 x 2 Ply and Bradley Model 4008 x 1 Ply)

### OPERATION:

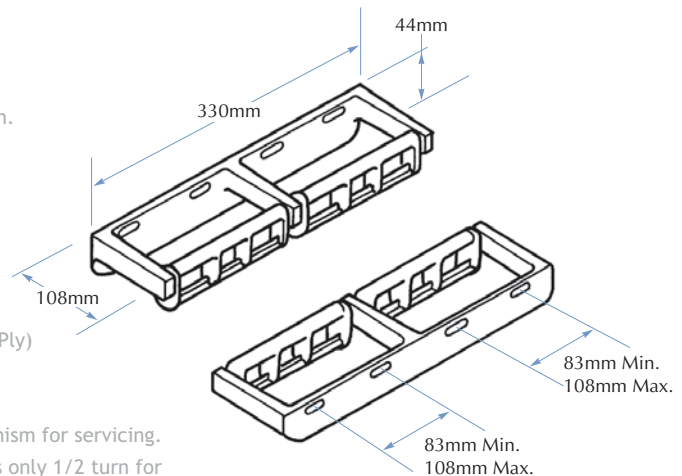
Remove tissue roll core to access special locking mechanism for servicing. Stops on spindle control paper delivery. Spindle revolves only 1/2 turn for each dispensing operation and returns to original position.

### INSTALLATION:

Secure to wall with mounting screws (included) at holes provided.

### GUIDE SPECIFICATION:

Surface mounted toilet tissue dispensers shall be die cast aluminium with satin finish. Stop controls paper delivery.



TOLL FREE 1300 364 561

The manufacturer reserves the right to make changes in design and material without formal notice and without incurring obligation.

**Bradley**  
AUSTRALIA.COM