

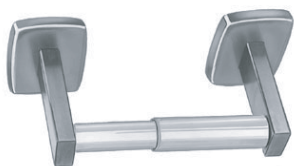
TOILET TISSUE DISPENSERS

MODELS 5085/5235

Options:

5085 Bright Finish Single Toilet Roll Holder

5235 Bright Finish Double Toilet Roll Holder



MODEL 5085

- Bright finish
- Single roll non-controlled delivery

Overall Dimensions
197mm W x 51mm H x 92mm D



MODEL 5235

- Bright finish
- Double roll non-controlled delivery

Overall Dimensions
330mm W x 51mm H x 98mm D

CONSTRUCTION:

POSTS: Fabricated of type 304 (18-8), 22 gauge stainless steel with exposed surfaces in architectural bright finish.

ESCUTCHEONS: Fabricated of type 304 (18-8), heavy gauge stainless steel with exposed surfaces in architectural bright finish.

MOUNTING BRACKET: Fabricated of type 304 (18-8), 18 gauge stainless steel.

SPINDLES: Fabricated of chrome-plated plastic.

CAPACITY:

Model 5085 holds one standard core toilet tissue roll.

Model 5235 holds two standard core toilet tissue rolls.

(Bradley Model 4004 x 2 Ply and Bradley Model 4008 x 1 Ply)

OPERATION:

Concealed spring permits spindles to telescope for servicing.

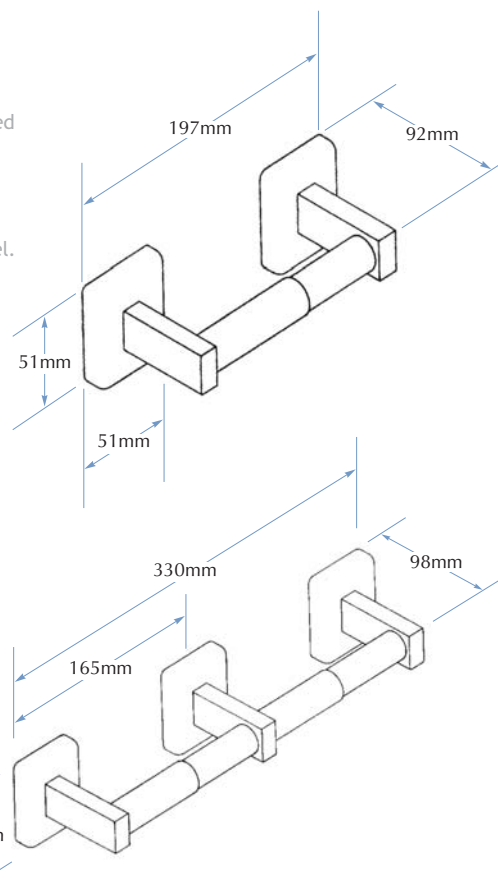
Spindles turn freely for non-controlled delivery.

INSTALLATION:

Secure concealed wall mounting brackets to wall with mounting screws (included) at holes provided. Mount projecting arms and escutcheons to bracket and secure with concealed locking screws. Snap escutcheons into place.

GUIDE SPECIFICATION:

Surface mounted roll toilet tissue dispensers shall be heavy gauge bright polish finish stainless steel.



TOLL FREE 1300 364 561

The manufacturer reserves the right to make changes in design and material without formal notice and without incurring obligation.

Bradley
AUSTRALIA.COM