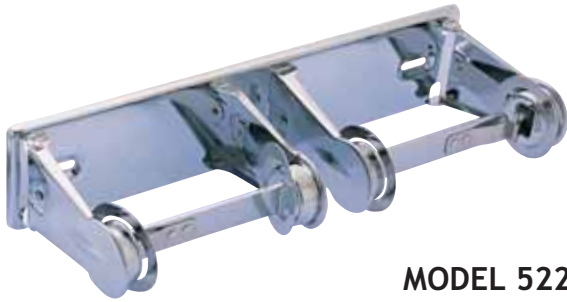


TECHNICAL DATA SHEET

TOILET TISSUE DISPENSER



MODEL 5224

- Chrome plated
- Controlled delivery
- Dual roll

Overall Dimensions
314mm W x 70mm H x 110mm D

MODEL 5224

Options:

- 5054 Single Toilet Roll Holder
- 5224 Double Toilet Roll Holder

CONSTRUCTION:

Unit fabricated of heavy gauge satin chrome plated steel.

CAPACITY:

Holds two standard core toilet tissue rolls.

OPERATION:

Remove tissue roll core to access special locking mechanism for servicing.

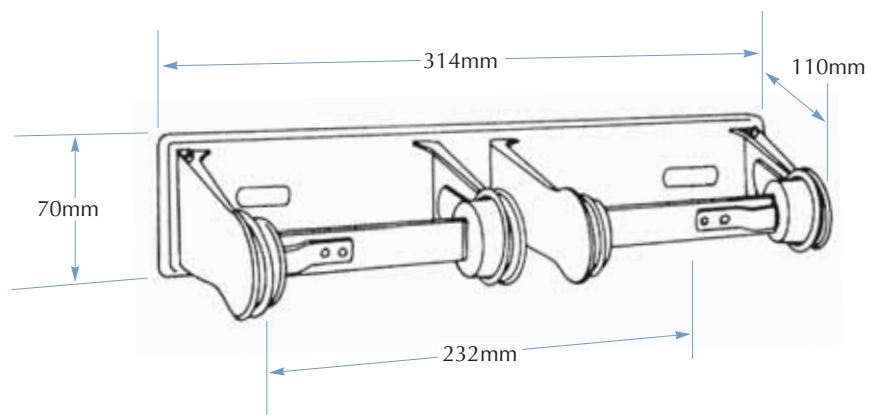
Tension spring controls paper delivery.

INSTALLATION:

Secure to wall with mounting screws (included) at holes provided.

GUIDE SPECIFICATION:

Surface mounted toilet tissue dispenser shall be heavy gauge chrome plated steel and hold two standard core toilet tissue rolls. Tension springs control paper delivery.



TOLL FREE 1300 364 561

The manufacturer reserves the right to make changes in design and material without formal notice and without incurring obligation.

Bradley
AUSTRALIA.COM