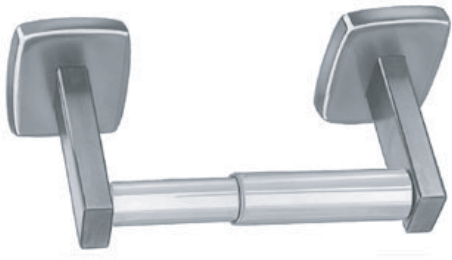


TECHNICAL DATA SHEET

TOILET TISSUE DISPENSER



MODEL 5084

- Satin finish
- Non-controlled delivery
- Single roll

Overall Dimensions
197mm W x 51mm H x 92mm D

MODEL 5084

Options:

- 5084 Satin Finish Toilet Roll Holder
- 5085 Bright Finish Toilet Roll Holder

CONSTRUCTION:

POSTS: Fabricated of type 304 (18-8), 22 gauge stainless steel with exposed surfaces in architectural satin finish.

ESCUTCHEONS: Fabricated of type 304 (18-8), heavy gauge stainless steel with exposed surfaces in architectural satin finish.

MOUNTING BRACKET: Fabricated of type 304 (18-8), 18 gauge stainless steel.

SPINDLE: Fabricated of chrome-plated plastic.

CAPACITY:

Holds one standard core toilet tissue roll.

OPERATION:

Concealed spring permits spindle to telescope for servicing.

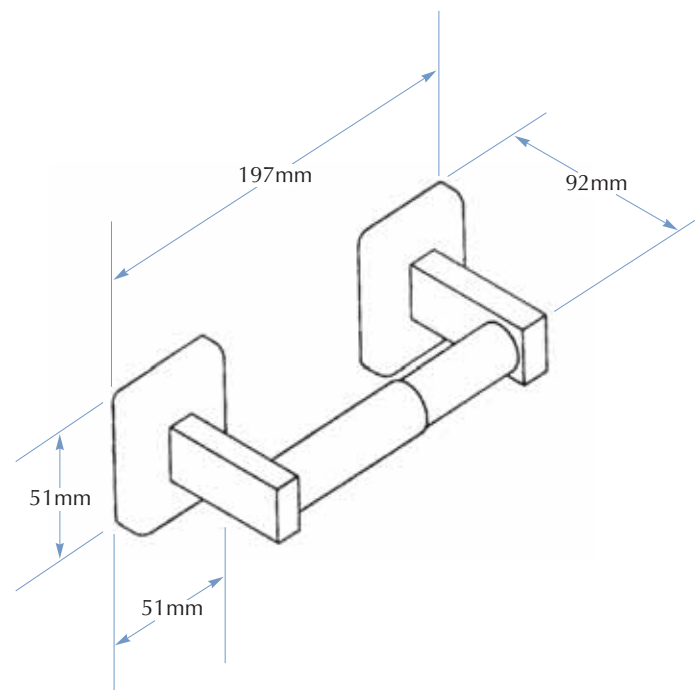
Spindle turns freely for non-controlled delivery.

INSTALLATION:

Secure concealed wall mounting brackets to wall with screws (included) at holes provided. Mount projecting arms and escutcheons to bracket and secure with concealed locking screw. Snap escutcheons into place.

GUIDE SPECIFICATION:

Surface mounted single roll toilet tissue dispenser shall be heavy gauge stainless steel satin finish and hold one standard core toilet tissue roll.



TOLL FREE 1300 364 561

The manufacturer reserves the right to make changes in design and material without formal notice and without incurring obligation.

Bradley
AUSTRALIA.COM