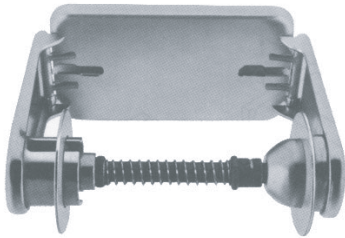


TOILET TISSUE DISPENSER

MODEL 5061



MODEL 5061

- Bright polished
- Single roll with tension spring controlled delivery

Overall Dimensions
149mm W x 70mm H x 127mm D

CONSTRUCTION:

BACKPLATE AND ARMS: Fabricated of bright polished stainless steel.

SPINDLE AND LOCK MECHANISM: Fabricated of bright polished stainless steel.

CAPACITY:

Holds one standard core toilet tissue roll.

(Bradley Model 4004 x 2 Ply and Bradley Model 4008 x 1 Ply)

OPERATION:

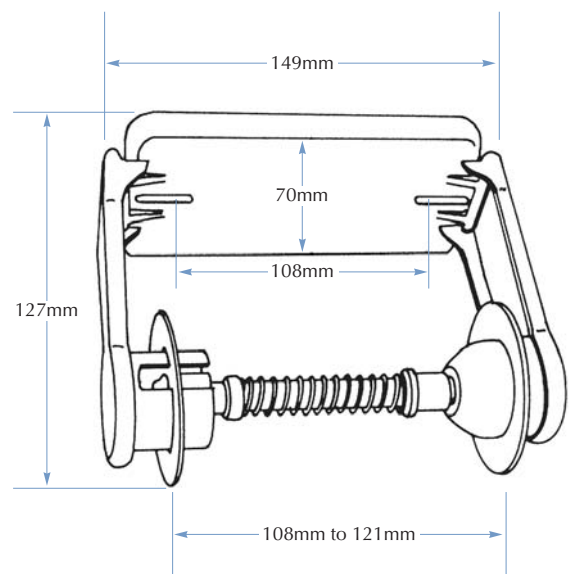
Remove tissue roll core to access special locking mechanism for servicing. Adjustable tension spring controls paper delivery.

INSTALLATION:

Secure to wall with mounting screws (included) at holes provided.

GUIDE SPECIFICATION:

Surface mounted toilet tissue dispenser shall be bright polished stainless steel and hold one standard core toilet tissue roll with tension spring to control paper delivery.



TOLL FREE 1300 364 561

The manufacturer reserves the right to make changes in design and material without formal notice and without incurring obligation.

Bradley
AUSTRALIA.COM