

TECHNICAL DATA SHEET

SURFACE MOUNTED NAPKIN DISPOSAL UNIT

MODEL 4722-15



NAPKIN DISPOSAL 4722-15

- Single end compartment
- Satin finish stainless steel

Overall Dimensions
273mm W x 384mm H x 102mm D

CONSTRUCTION:

CABINET: Fabricated of type 304 (18-8), 22 gauge stainless steel with exposed surfaces in architectural satin finish. All welded construction.

WASTE RECEPTACLE: Fabricated of type 304 (18-8), 22 gauge stainless steel with tumbler lock keyed as other Bradley units.

PUSH FLAP DOOR: Fabricated of type 304 (18-8), 22 gauge stainless steel with exposed surfaces in architectural satin finish. Heavy duty stainless steel piano hinge. Self-closing flap door.

CAPACITY:

5.7 litres (1.5 gal. / .2 cu. ft.)

OPERATION:

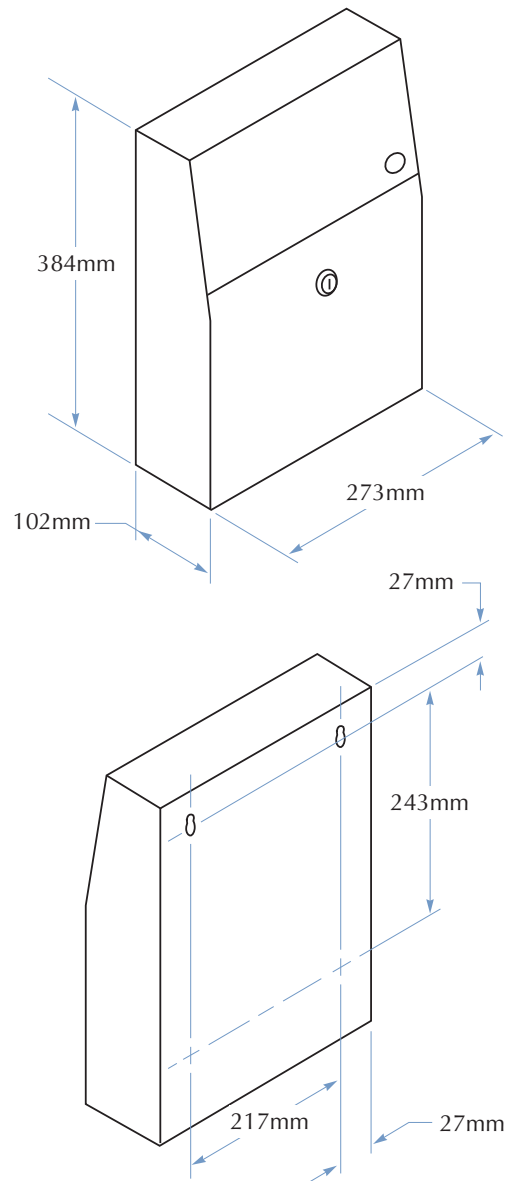
Waste container removable with finger grip. Furnished with waxed paper liner. Additional liners available from Bradley Australia.

INSTALLATION:

Locate top of unit 838mm above finished floor. Secure unit to wall with mounting screws (included) at holes provided.

GUIDE SPECIFICATION:

Surface mounted napkin disposal shall serve one toilet compartment and be fabricated of type 304 (18-8), 22 gauge stainless steel with exposed surfaces in satin finish. Self-closing push flap door and stainless steel removable receptacle with tumbler lock.



TOLL FREE 1300 364 561

The manufacturer reserves the right to make changes in design and material without formal notice and without incurring obligation.

Bradley
AUSTRALIA.COM