

SURFACE MOUNTED WASTE RECEPTACLE

MODEL 359



MODEL 359

- 5 litre capacity

- Satin finish stainless steel

Overall Dimensions
260mm W x 230mm H x 110mm D

CONSTRUCTION:

UNIT: Fabricated of type 304 (18-8), 22 gauge stainless steel with exposed surfaces in architectural satin finish. All welded construction with rounded front corners.

CAPACITY:

5 litres (1.5 gal./ .2 cu. ft.).

OPERATION:

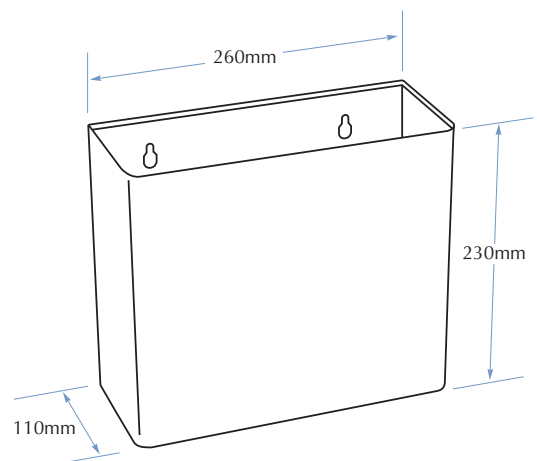
Receptacle furnished with removable wet-strength paper liner. Additional liners available from Bradley Australia.

INSTALLATION:

Secure to wall with appropriate anchoring devices at 2 mounting holes provided. Mounting screws included.

GUIDE SPECIFICATION:

Surface mounted facial tissue receptacle shall be fabricated of type 304 (18-8), 22 gauge stainless steel with seamless exposed surfaces in satin finish.



TOLL FREE 1300 364 561

The manufacturer reserves the right to make changes in design and material without formal notice and without incurring obligation.

Bradley
AUSTRALIA.COM