

SURFACE MOUNTED WASTE RECEPTACLE

MODEL 355



MODEL 355

- 78 litre capacity
- Satin finish stainless steel

Overall Dimensions
419mm W x 584mm H x 317mm D

CONSTRUCTION:

UNIT: Fabricated of type 304 (18-8), 22 gauge stainless steel with exposed surfaces in architectural satin finish. All welded construction with rounded front corners.

LINER: (Optional) Heavy duty stitched vinyl coated nylon. Part No. P11-005.

CAPACITY:

78 litres.

OPERATION:

Optional vinyl liner is attached to receptacle with hook and loop fasteners, easily removed for servicing.

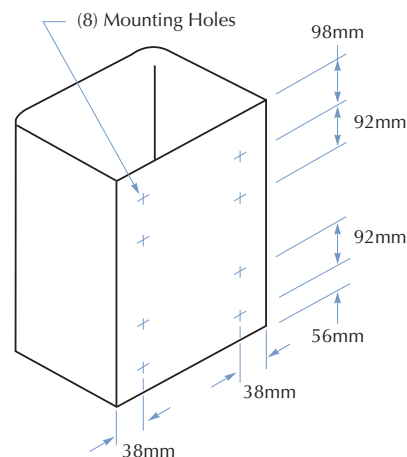
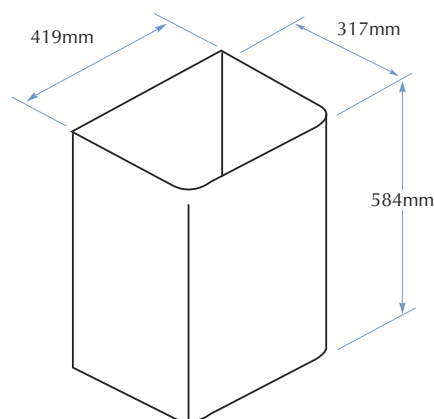
INSTALLATION:

Secure to wall with mounting screws (included) at holes provided.

GUIDE SPECIFICATION:

Surface mounted waste receptacle shall be fabricated of type 304 (18-8), stainless steel with seamless exposed surfaces in satin finish.

Reusable heavy duty vinyl liner (optional). Capacity is 78 litres.



TOLL FREE 1300 364 561

The manufacturer reserves the right to make changes in design and material without formal notice and without incurring obligation.

Bradley
AUSTRALIA.COM