

RECESSED WASTE DISPOSAL UNIT



RETRO SERIES 334

- Waste receptacle
- Satin finish stainless steel

Overall Dimensions
435mm W x 778mm H x 102mm D

CONSTRUCTION:

CABINET: Fabricated of type 304 (18-8), heavy gauge stainless steel. All welded construction.

FLANGE: Fabricated of type 304 (18-8), 22 gauge stainless steel with exposed surfaces in architectural satin finish. One piece seamless construction, 25mm wide with 7mm return.

WASTE RECEPTACLE: Fabricated of type 304 (18-8), 22 gauge stainless steel. All welded construction. Secured to cabinet with tumbler lock keyed as other Bradley units.

LINER: (Optional) Heavy duty stitched vinyl coated nylon. Part No. P11-001.

HINGED COVER: (Optional) Fabricated of type 304 (18-8), 22 gauge stainless steel with exposed surfaces in architectural satin finish. Heavy duty stainless steel piano hinge.

PUSH FLAP DOOR: (Optional) Fabricated of type 304 (18-8), 22 gauge stainless steel with exposed surfaces in architectural satin finish. Heavy duty stainless steel piano hinge. Self-closing flap door is embossed 'PUSH'.

CAPACITY:

68 litres.

OPERATION:

Waste receptacle removable for servicing by unlocking waste container.

INSTALLATION:

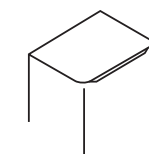
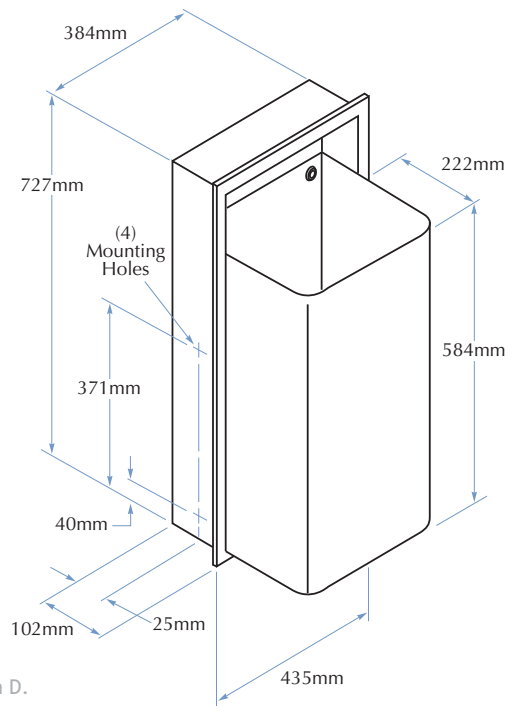
Recessed unit requires Rough Wall Opening 737mm H x 394mm W x 102mm D. Secure to framing with mounting screws (included) at holes provided. Shim at screw points as required.

GUIDE SPECIFICATION:

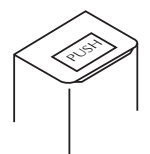
Recessed waste receptacle shall be fabricated of type 304 (18-8), heavy gauge stainless steel with seamless exposed surfaces in satin finish. Removable 68 litre stainless steel waste receptacle. Heavy duty vinyl liner is optional. Receptacle secured to cabinet with tumbler lock.

MODEL 334

Options:
334-11 Surface Mounted
(Waste Bin Projects 324mm)



Hinged Cover -35



Hinged Cover with
Push Flap Door -65

TOLL FREE 1300 364 561

The manufacturer reserves the right to make changes in design and material without formal notice and without incurring obligation.

Bradley
AUSTRALIA.COM