

RECESSED WASTE RECEPTACLE



CONTEMPORARY SERIES 3157

- Waste receptacle
- Satin finish stainless steel

Overall Dimensions
362mm W x 1251mm H x 171mm D

CONSTRUCTION:

CABINET: Fabricated of type 304 (18-8) 22 gauge stainless steel with exposed surfaces in architectural satin finish. Welded construction with seamless corners and burr-free edges.

DOOR: Fabricated of type 304 (18-8) 18 gauge stainless steel. 12mm return for maximum rigidity. Concealed full length stainless steel piano hinge and two tumbler locks keyed as other Bradley units.

WASTE RECEPTACLE: Fabricated of satin stainless steel.

PUSH FLAP DOOR: Fabricated of type 304 (18-8), 22 gauge stainless steel with exposed surfaces in architectural satin finish. Heavy duty stainless steel piano hinge.

CAPACITY:

34 litres.

OPERATION:

Waste receptacle insert removable by unlocking cabinet door.

INSTALLATION:

Recessed unit requires Rough Wall Opening of 315mm W x 1206mm H x 170mm D (semi-recessed unit only 85mm deep). Secure to framing with mounting screws (included) at holes provided. Shim at screw points as required.

GUIDE SPECIFICATION:

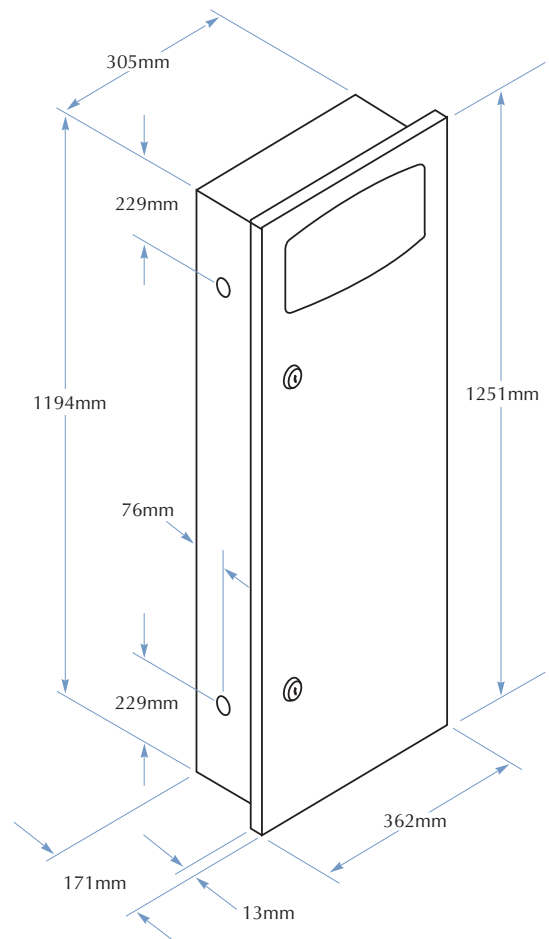
Recessed waste receptacle shall be fabricated of heavy gauge type 304 (18-8) stainless steel with exposed surfaces in satin finish. Cabinet door of 18 gauge stainless steel with full length piano hinge and secured by tumbler lock. Removable 34 litre stainless steel insert for waste receptacle.

MODEL 3157

Options:

3157-10 Semi Recessed

3157-11 Surface Mounted



TOLL FREE 1300 364 561

The manufacturer reserves the right to make changes in design and material without formal notice and without incurring obligation.

Bradley
AUSTRALIA.COM