

RECESSED WASTE RECEPTACLE



MODEL 315-35

- Waste receptacle
- Satin finish stainless steel

Overall Dimensions
356mm W x 1245 H x 190mm D

CONSTRUCTION:

FLANGE: Fabricated of type 304 (18-8) 22 gauge stainless steel with exposed surfaces in architectural satin finish. One piece seamless construction, 25mm wide with 7mm return.

CABINET: Fabricated of type 304 (18-8) 22 gauge stainless steel with exposed surfaces in architectural satin finish. Welded construction with seamless corners and burr-free edges.

DOOR: Fabricated of type 304 (18-8) 18 gauge stainless steel. Warp resistant, with full length piano hinge and tumbler lock keyed as other Bradley units.

WASTE RECEPTACLE: Fabricated of satin stainless steel.

PUSH FLAP DOOR: Fabricated of type 304 (18-8), 22 gauge stainless steel with exposed surfaces in architectural satin finish. Heavy duty stainless steel piano hinge.

CAPACITY:

34 litres.

OPERATION:

Waste receptacle insert removable by unlocking cabinet door.

INSTALLATION:

Recessed unit requires Rough Wall Opening of 315mm W x 1206mm H x 190mm D (semi-recessed unit only 95mm deep). Secure to framing with mounting screws (included) at holes provided. Shim at screw points as required.

GUIDE SPECIFICATION:

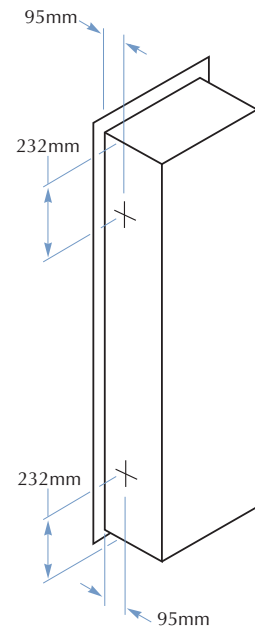
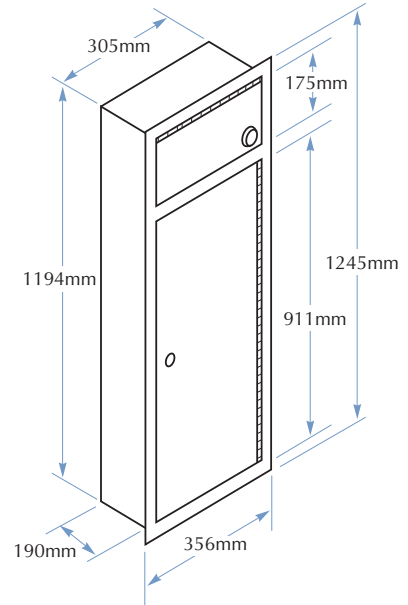
Recessed waste receptacle shall be fabricated of type 304 (18-8), heavy gauge stainless steel with seamless exposed surfaces in satin finish. Cabinet door of warp free construction with piano hinge and tumbler lock. Removable 34 litre stainless steel insert for waste receptacle.

MODEL 315-35

Options:

315-35-10 Semi Recessed

315-35-11 Surface Mounted



TOLL FREE 1300 364 561

The manufacturer reserves the right to make changes in design and material without formal notice and without incurring obligation.

Bradley
AUSTRALIA.COM