

RECESSED TOWEL DISPENSER

MODEL 2441

Options:

2441-10 Semi Recessed

2441-11 Surface Mounted



RETRO SERIES 2441

- Towel dispenser
- Satin finish stainless steel

Overall Dimensions
324mm W x 435mm H x 102mm D

CONSTRUCTION:

FLANGE: Fabricated of type 304 (18-8) 22 gauge stainless steel with exposed surfaces in architectural satin finish. One piece seamless construction, 25mm wide with 7mm return.

CABINET: Fabricated of type 304 (18-8) heavy gauge stainless steel. All welded construction.

DOOR: Fabricated of type 304 (18-8), 22 gauge stainless steel with full length piano hinge and tumbler lock keyed as other Bradley units.

TOWEL DISPENSER: Fabricated of type 304 (18-8) 22 gauge stainless steel. Rolled edge on dispenser opening.

CAPACITY:

Towel Dispenser - holds Bradley Model 2001 paper hand towels.

OPERATION:

Unit holds paper hand towels without the use of special adaptors.

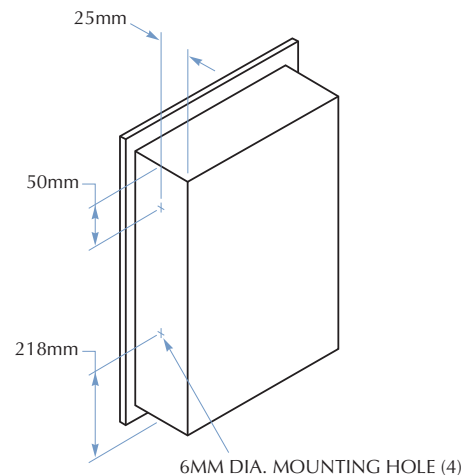
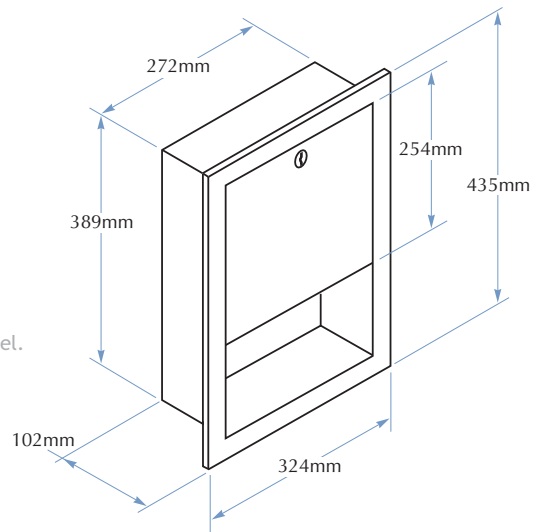
INSTALLATION:

Recessed unit requires Rough Wall opening 280mm W x 400mm H x 100mm D (semi-recessed unit only 51mm deep).

Secure to framing with mounting screws at holes provided.

GUIDE SPECIFICATION:

Recessed paper towel dispenser shall be fabricated of heavy gauge type 304 (18-8) stainless steel with exposed surfaces in architectural satin finish.



TOLL FREE 1300 364 561

The manufacturer reserves the right to make changes in design and material without formal notice and without incurring obligation.

Bradley
AUSTRALIA.COM