

RECESSED MULTI-PURPOSE UNIT



MULTI-PURPOSE 237

- Combination 2 in 1 unit:
towel dispenser/waste receptacle

- Satin finish stainless steel

Overall Dimensions

435mm W x 1422mm H x 223mm D

CONSTRUCTION:

CABINET: Fabricated of type 304 (18-8), 22 gauge stainless steel with exposed surfaces in architectural satin finish. Welded construction with seamless corners and burr-free edges.

FLANGE: Fabricated of type 304 (18-8), 22 gauge stainless steel with exposed surfaces in architectural satin finish. One piece seamless construction, 25mm wide with 7mm return.

DOOR: Fabricated of type 304 (18-8), 18 gauge stainless steel. Warp resistant, with full length piano hinge and tumbler lock keyed as other Bradley units.

TOWEL DISPENSER: Fabricated of type 304 (18-8), 22 gauge stainless steel. Rolled edge on dispenser opening.

WASTE RECEPTACLE: Fabricated of type 304 (18-8), 22 gauge stainless steel. All welded construction. Secured to cabinet with tumbler lock keyed as other Bradley units.

LINER: (Optional) Heavy duty stitched vinyl coated nylon. Part No. P11-004.

HINGED COVER: (Optional) Fabricated of type 304 (18-8), 22 gauge stainless steel with exposed surfaces in architectural satin finish. Heavy duty stainless steel piano hinge.

PUSH FLAP DOOR: (Optional) Fabricated of type 304 (18-8), 22 gauge stainless steel with exposed surfaces in architectural satin finish. Heavy duty stainless steel piano hinge. Self-closing flap door is embossed 'PUSH'.

CAPACITY:

Towel Dispenser - holds Bradley Model 2001 paper hand towels.

Waste Receptacle Insert - 50 litres.

OPERATION:

Unit holds paper hand towels without the use of special adaptors.

Waste receptacle removable for servicing by unlocking waste container.

INSTALLATION:

Recessed unit requires Rough Wall Opening 1385mm H x 395mm W x 190mm D. (Semi-recessed unit only 90mm deep.) Secure to framing with mounting screws (included) at holes provided. Shim at screw points as required.

GUIDE SPECIFICATION:

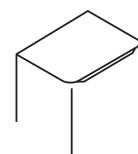
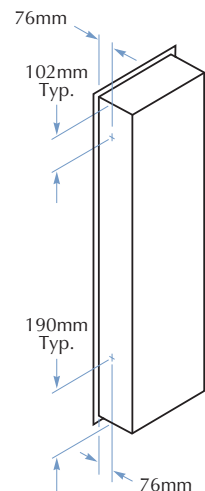
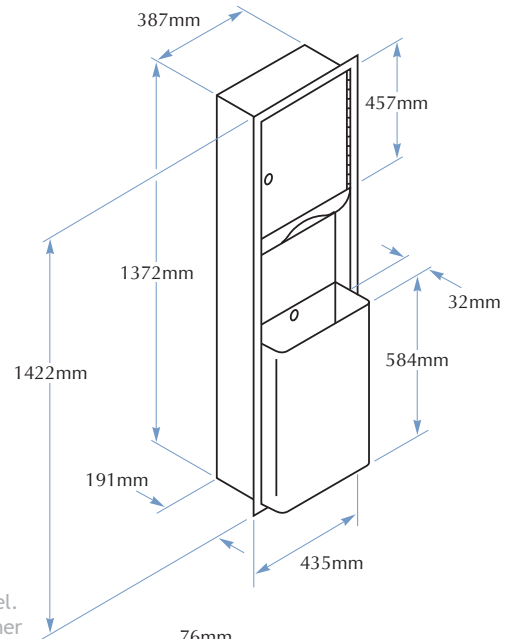
Recessed combination paper towel dispenser and waste receptacle shall be fabricated of type 304 (18-8), 22 gauge stainless steel with exposed surfaces in satin finish. Cabinet doors with full length piano hinge and secured by tumbler lock. Removable 50 litre, stainless steel waste receptacle. Re-usable vinyl liner is optional.

MODEL 237

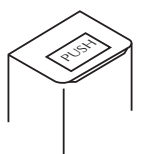
Options:

237-10 Semi-Recessed

237-11 Surface Mounted



Hinged Cover -35



Hinged Cover with Push Flap Door -65

TOLL FREE 1300 364 561

The manufacturer reserves the right to make changes in design and material without formal notice and without incurring obligation.

Bradley
AUSTRALIA.COM