

## RECESSED MULTI-PURPOSE UNIT

## MODEL 235

Options:

235-10 Semi-Recessed  
235-11 Surface Mounted



### MULTI-PURPOSE 235

- Combination 2 in 1 unit:  
towel dispenser/waste receptacle

- Satin finish stainless steel

Overall Dimensions  
435mm W x 1422mm H x 102mm D

### CONSTRUCTION:

**CABINET:** Fabricated of type 304 (18-8), 22 gauge stainless steel with exposed surfaces in architectural satin finish. Welded construction with seamless corners and burr-free edges.

**FLANGE:** Fabricated of type 304 (18-8), 22 gauge stainless steel with exposed surfaces in architectural satin finish. One piece seamless construction, 25mm wide with 7mm return.

**DOORS:** Fabricated of type 304 (18-8), 18 gauge stainless steel. Warp resistant, with full length piano hinge and tumbler lock keyed as other Bradley units.

**TOWEL DISPENSER:** Fabricated of type 304 (18-8), 22 gauge stainless steel. Rolled edge on dispenser opening.

**WASTE RECEPTACLE INSERT:** Fabricated of stainless steel.

### CAPACITY:

Towel Dispenser - holds Bradley Model 2001 paper hand towels.

Waste Receptacle Insert - 20 litres.

### OPERATION:

Unit holds paper hand towels without the use of special adaptors.

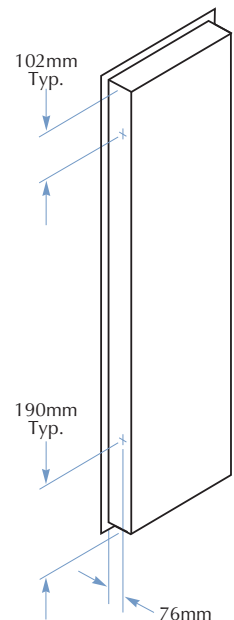
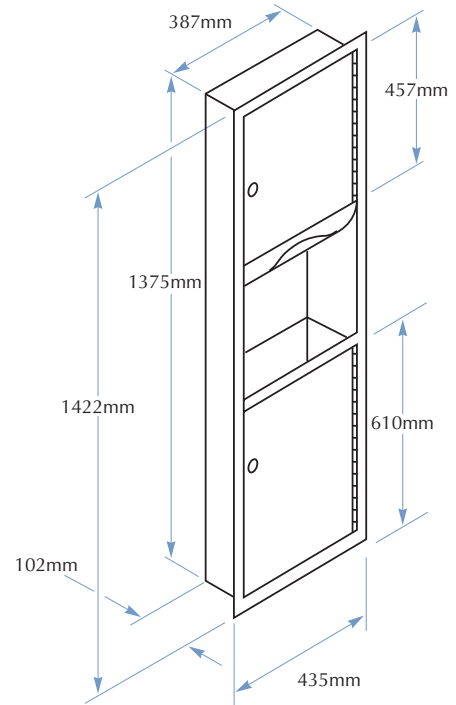
Waste receptacle insert removable for easy servicing by unlocking cabinet door.

### INSTALLATION:

Recessed unit requires Rough Wall Opening 1385mm H x 395mm W x 100mm D. (Semi-recessed unit only 51mm deep.) Secure to framing with mounting screws (included) at holes provided. Shim at screw points as required.

### GUIDE SPECIFICATION:

Recessed combination paper towel dispenser and waste receptacle shall be fabricated of type 304 (18-8), 22 gauge stainless steel with exposed surfaces in satin finish. Cabinet doors of warp-free construction, equipped with full length piano hinge and secured by tumbler lock. Waste receptacle has removable 20 litre, stainless steel insert.



TOLL FREE 1300 364 561

The manufacturer reserves the right to make changes in design and material without formal notice and without incurring obligation.

**Bradley**  
AUSTRALIA.COM