

## RECESSED MULTI-PURPOSE UNIT



### MULTI-PURPOSE 1985

- Towel dispenser
- Satin finish stainless steel
- For behind wall or mirror installation

Overall Dimensions  
435mm W x 791mm H x 102mm D

### CONSTRUCTION:

**CABINET:** Fabricated of type 304 (18-8), heavy gauge stainless steel.

**FLANGE:** Fabricated of type 304 (18-8), 22 gauge stainless steel with exposed surfaces in architectural satin finish. One piece seamless construction, 25mm wide with bevelled edges.

**TOWEL TRAY:** Fabricated of type 304 (18-8), 22 gauge stainless steel.

**TOWEL DISPENSER:** Fabricated of type 304 (18-8), 22 gauge stainless steel piano hinge and tumbler lock. Rolled edge on dispenser opening.

**EXTERIOR SHELF:** Fabricated of type 304 (18-8), 22 gauge stainless steel.

**LOCK:** On towel dispenser keyed as other Bradley units.

### CAPACITY:

Towel Dispenser - holds Bradley Model 2001 paper hand towels.

### OPERATION:

Unit holds paper hand towels without the use of special adaptors.

Lock secures hinged towel dispenser lip which opens for refilling from base.

### INSTALLATION:

Requires Rough Wall Opening 389mm W x 773mm H x 105mm D.

Install cabinet prior to installation of wall surface or mirror.

Secure to framing with mounting screws at holes provided.

### GUIDE SPECIFICATION:

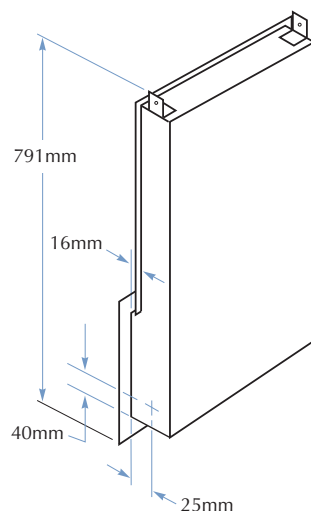
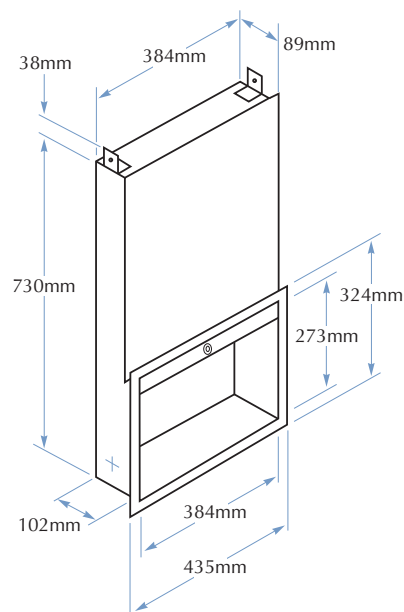
Recessed multi-purpose unit (for behind wall or mirror installation) consisting of recessed towel dispenser and shelf and shall be fabricated of type 304 (18-8) stainless steel with exposed surfaces in satin finish. Towel dispenser with piano hinge and tumbler lock.

## MODEL 1985

Options:

1985 Recessed for 16mm Dry Wall

198 Recessed for 13mm Dry Wall



TOLL FREE 1300 364 561

The manufacturer reserves the right to make changes in design and material without formal notice and without incurring obligation.

**Bradley**  
AUSTRALIA.COM