

## RECESSED MULTI-PURPOSE UNIT

# MODEL 1201A



### MULTI-PURPOSE 1201A

- Counter top mounted towel dispenser
- Satin finish stainless steel

Overall Dimensions  
325mm W x 150mm H x 285mm D

### CONSTRUCTION:

**FLANGE:** Fabricated of type 304 (18-8), 22 gauge stainless steel with exposed surfaces in architectural satin finish. One piece seamless construction, 25mm wide with 6mm return.

**TOWEL DISPENSER TRAY:** Fabricated of type 304 (18-8), 22 gauge stainless steel.

**TOWEL DISPENSER:** Fabricated of type 304 (18-8), 22 gauge stainless steel.

### OPERATION:

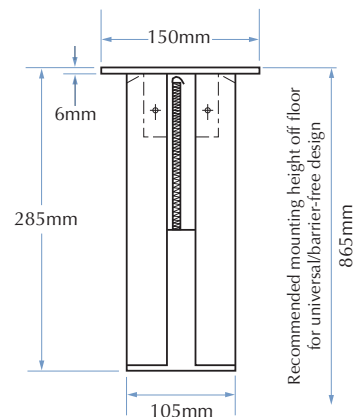
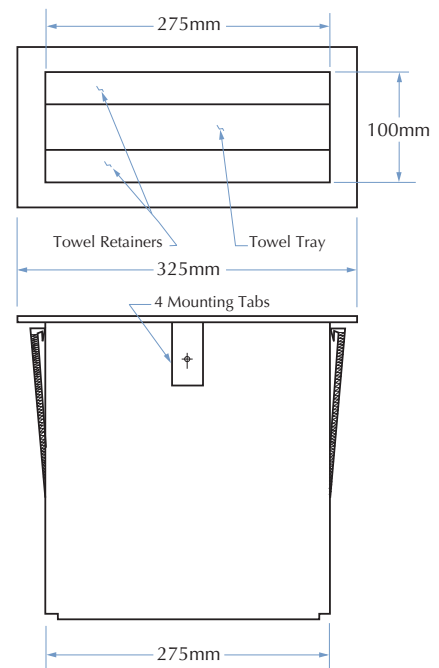
Paper towel dispenser accommodates 85mm folded (Bradley Model 2001) paper towels. Paper towel dispenser may be mounted in vertical surfaces of counter top.

### INSTALLATION:

Unit is designed for installation in counter top. Mount unit through a cut-out specially ordered from counter top manufacturer or field cut. Dimensions of cut-out are to be 280mm W x 110mm H.

### GUIDE SPECIFICATION:

Paper towel dispenser for mounting in counter tops shall be type 304 stainless steel with all-welded construction. Exposed surfaces shall have satin finish.



**TOLL FREE 1300 364 561**

The manufacturer reserves the right to make changes in design and material without formal notice and without incurring obligation.

**Bradley**  
AUSTRALIA.COM