

RECESSED COMBINATION UNIT



REFLECTIONS 1017

- Towel dispenser and waste receptacle
- Ultra contemporary design in mirror finish stainless steel
- Heavy duty translucent acrylic door

Overall Dimensions:
460mm W x 1441mm H x 152mm D

CONSTRUCTION:

DOOR: Manufactured of heavy duty translucent frosted acrylic.

FRAME: Fabricated of type 430, 18 gauge bright annealed stainless steel. Material is stretcher levelled for uniformity. Surface is bright and smooth with mirror-like finish. Frame has 15mm return.

CABINET: Fabricated of type 430, 18 gauge bright annealed stainless steel. Material is stretcher levelled for uniformity. Surface is bright and smooth with mirror-like finish.

TOWEL DISPENSER: Fabricated of type 304, 18 gauge stainless steel with mirror polish. All welded construction.

WASTE RECEPTACLE: Fabricated of type 430, 18 gauge bright annealed stainless steel. Material is stretcher levelled for uniformity. Surface is bright and smooth with mirror-like finish. All welded construction. Finger hole for removal and emptying.

CAPACITY:

Towel Dispenser - holds Bradley Model 2001 paper hand towels.

Waste receptacle: 22 litres.

OPERATION:

Unit holds paper hand towels without the use of special adaptors.

Waste Receptacle is large capacity allowing towel to fall to base, alleviating messy washroom.

INSTALLATION:

Recessed unit requires Rough Wall Opening 374mm W x 1355mm H x 147mm D (semi-recessed unit only 75mm deep). Set opening minimum 100mm from finished floor.

GUIDE SPECIFICATION:

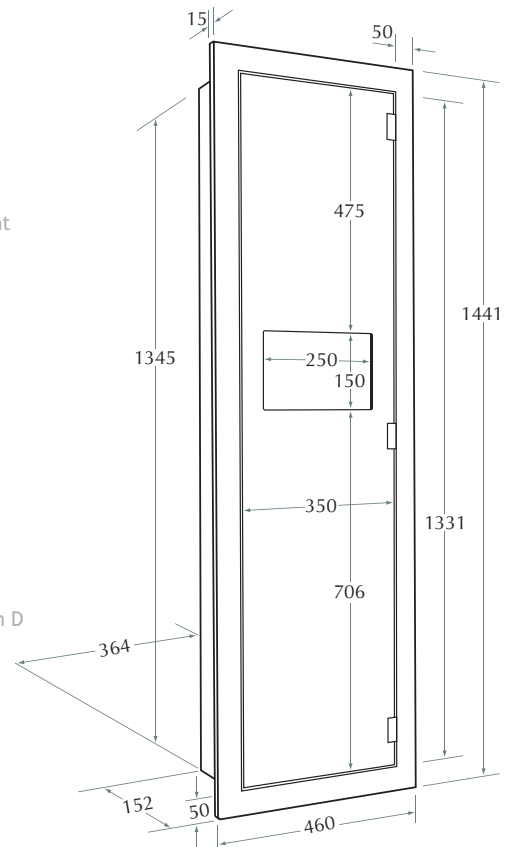
Recessed combination towel dispenser and waste receptacle shall be fabricated of type 430, 18 gauge bright annealed stainless steel with heavy duty translucent frosted acrylic door. Removable 22 litre bright annealed waste receptacle.

MODEL 1017

Options:

1017-10 Semi Recessed

1017-11 Surface Mounted



TOLL FREE 1300 364 561

The manufacturer reserves the right to make changes in design and material without formal notice and without incurring obligation.

Bradley
AUSTRALIA.COM